

# Dehumidifying Dryers DS 503 - DS 507



English

The DS 503-507 are single bed desiccant dryers with airflow of up to 80 m<sup>3</sup>/h and dew point as low as -35°C. They have a very compact design and ensure efficient drying for all hygroscopic and engineering polymers.



**PIOVAN**

*Customers. The core of our innovation*

# Dehumidifying Dryers

## DS 503 - DS 507

The DS 503-507 are single bed desiccant dryers with airflow of up to 80 m<sup>3</sup>/h and dew point as low as -35°C. They have a very compact design and ensure efficient drying for all hygroscopic and engineering polymers.

The process air temperature is controlled by a **microprocessor panel** up to **160°C**. All significant working parameters as well as functioning modalities, can be set from the same microprocessor control panel. The display shows the working temperature, the set point and any alarm message.

A safety temperature control, complete with independent contactor and temperature probe is also available as a standard feature. The operator can enter the difference between the temperature of set point and the safety temperature, that is then kept over the whole working temperature range.

All models can be equipped with **serial interface port** for connection to a supervisory system.





## Characteristics

- Highly efficient desiccant material
- High capacity and pressure blowers
- Safety devices in compliance with European standards
- Process airflow regulation valve
- Large capacity filters
- Microprocessor control panel with functions and operating mode display
- Serial interface port (optional)



Control panel

The **HT version** of the DS 503 - DS 507 dryers with external heating chamber, which can operate up to **200°C**, is also available on request.

The DS 503 – DS 507 dryers can be coupled with hoppers having capacities of up to 200 dm<sup>3</sup>. The drying hopper can be installed on the processing machine or placed on a mobile trolley.

Piovan also supplies extremely compact **mobile drying systems** with multiple hopper set-up.



Single-hopper mobile drying system

# Dehumidifying Dryers DS 503 - DS 507



## Hoppers

All drying hoppers are solely manufactured out of stainless steel, so to prevent any contamination or corrosion.

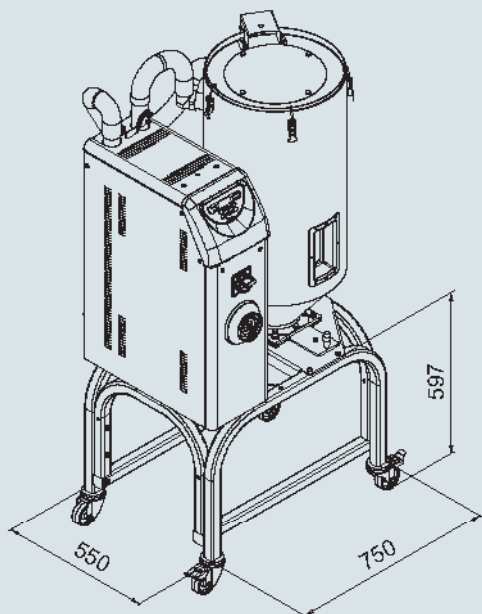
- Insulated and wrapped with an aluminium heat shield
- Integral insulation with thickness of 60 mm
- Inspection and maintenance door
  - hinged
  - insulated
  - designed for regular material descent
- Lid with mounting flange for hopper loader



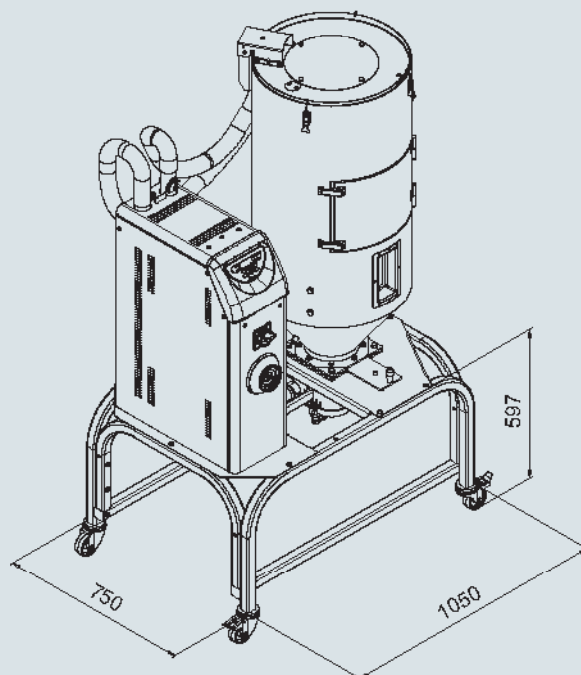
Hinged lid



Hinged door for cleaning and inspection



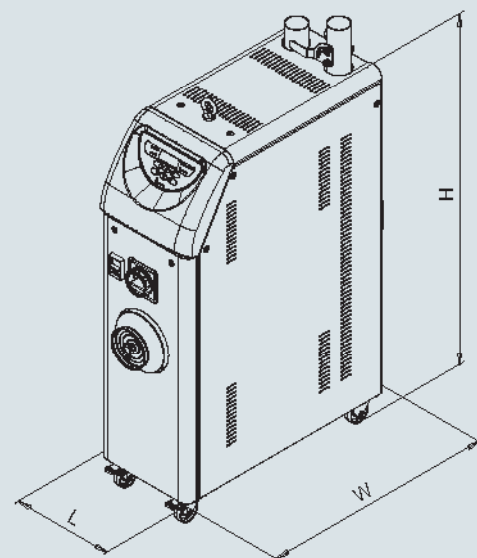
Single-hopper dehumidifying system with T 30 - T 50



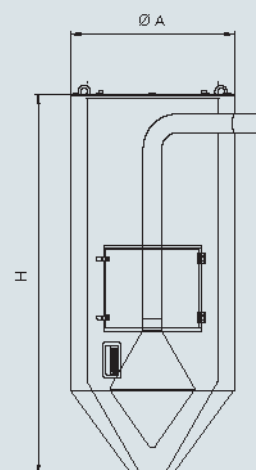
Single-hopper dehumidifying system with T 75 - T 200

Technical Data		DS 503	DS 507
Process airflow	m <sup>3</sup> /h	50	80
Power of process blower	kW	0.1	0.2
Heating power	kW	2	3
Regeneration power	kW	2	3
Total installed power	kW	2.1	3.2
Voltage and frequency	V/-/Hz	230/1/50-60	230/1/50-60
Max. process temperature	°C	160 (200*)	160 (200*)
Average consumption at 80°C	kWh	0.75	0.95
Dimensions (LxWxH)	mm	250x550x870	250x550x870
Weight	kg	43	48

\* HT version



Model	Capacity dm <sup>3</sup>	σ A mm	H mm	Weight kg
T 10	10	300	495	9
T 30	30	434	735	17
T 50	50	434	1005	27
T 75	75	526	1008	40
T 100	100	526	1238	48
T 150	150	600	1238	58
T 200	200	600	1588	66



[www.piovan.com](http://www.piovan.com)

#### EUROPE

##### **PIOVAN S.p.A. (\*)**

Tel. +39 041 57.99.111  
Fax +39 041 48.74.37  
sales@piovan.com

##### **PIOVAN GmbH**

Tel. +49 89 329.457.0  
Fax +49 89 329.457.11  
info@piovan.de

##### **PIOVAN CENTRAL EUROPE GmbH**

Tel. +43 2236 312.110.0  
Fax +43 2236 312.110.50  
office@piovan.at

##### **PIOVAN GmbH ODDZIAL W POLSCE**

Tel. +48 71 35.00.617  
Fax +48 71 35.00.337  
info@piovan.pl

##### **PIOVAN UK Ltd.**

Tel. +44 (0) 1527 879.419  
Fax +44 (0) 1527 879.504  
piovanuk@piovan.com

#### AMERICAS

##### **PIOVAN Canada Ltd.**

Tel. +1 905 629.8822  
Fax +1 905 629.8827  
info@piovancanada.com

##### **PIOVAN MEXICO S.A. de C.V.**

Tel. +52 55 5386.8577/1997.8562  
Fax +52 55 1997.8563  
informexico@piovan.ca

##### **PIOVAN do Brasil Ltda (\*)**

Tel. +55 11 3693.9500  
Fax +55 11 3693.9515  
piovan@piovan.com.br

#### ASIA

##### **PIOVAN ASIA Pte Ltd.**

Tel. +65 6674 5930  
Fax +65 6674 5901  
sales@piovanasia.com.sg

##### **PIOVAN THAILAND**

Tel. +662 643 97.53/55  
Fax +662 643 97.57  
sales@piovanasia.com.sg

##### **PIOVAN PLASTICS MACHINERY CHINA (\*)**

Tel. +86 756 383.7770  
Fax +86 756 383.7771  
piovanzh@piovan.cn

##### **PIOVAN BEIJING**

Tel. +86 10 8586.1393  
Fax +86 10 8586.1393  
piovanzh@piovan.cn

##### **PIOVAN SHANGHAI**

Tel. +86 21 6140.5523  
Fax +86 21 6140.5524  
piovanzh@piovan.cn

##### **PIOVAN HONG KONG Ltd.**

Tel. +852 2368.8728  
Fax +852 2368.8758  
sales@piovanhk.com.hk

(\*) manufacturing site